



OneStim-CRM™

Pace. Measure. Analyse.



Fully Portable
Mini EP Lab on the go



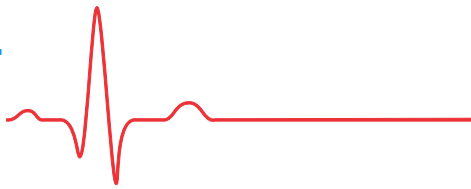
Voltage Stimulation
With continuous live impedance



12 Lead ECG
12 lead and 2x iECG waveforms displayed



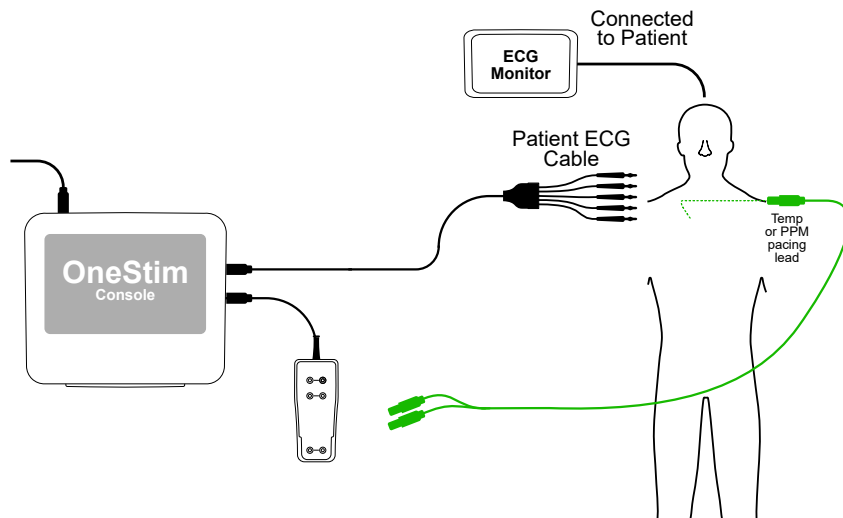
400ms Trigger Page
Auto callipers for easy RWPT and interpeak interval measurement



The Micropace OneStim™ CRM is an all-in-one portable cardiac stimulator and conduction measurement system suitable for use in non-EP laboratory procedure rooms.

The OneStim offers all the functions recommended for successful and safe CSP lead implantation in one easy-to-use interface:

- Voltage stimulation
- Continuous live pacing impedance
- Unfiltered COI waveform display
- 12 Lead ECG conduction measurements



- 12 lead ECG display
- Voltage stimulation
- Continuous live impedance measurement
- Optimised Filter settings for Accurate Current of Injury display
- Trigger page with callipers for measurement of RWPT, inter peak interval and QRSd



Micropace OneStim™-CRM Specifications

User Interface

- Mains or Battery Operated
- Easy-to-use Touch screen Interface
- HDMI output to secondary screen
- USB thumb drive for data saving

Patient Interface

- 2 Bipolar stimulation and intra-cardiac ECG channels
- 12-Lead surface ECG
- 1 Independent Emergency Pacing Channel (asynchronous, 9V/8mA, ms, 100ppm)

Programmable Stimulation

- Voltage Control
- S1 Interval 5000ms
- Biphasic stimulation waveforms
- Threshold-adaptive QRS sensing for precise stimulation triggering

ECG Conduction Analysis

- Up to 90s buffer ECG for review at sweep speed up to 400mm/s
- Time and amplitude callipers
- Triggered Sweep Display
- Annotate, save and load study data

