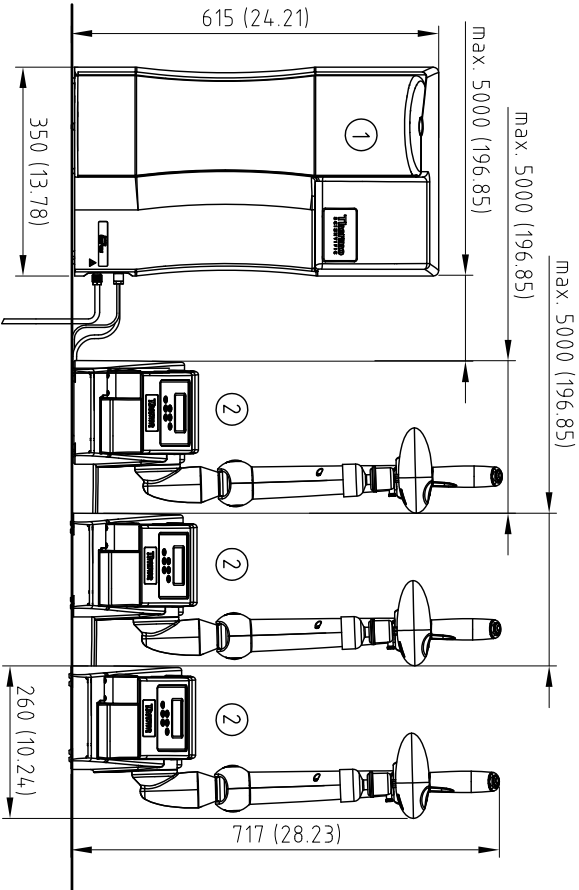


Back view



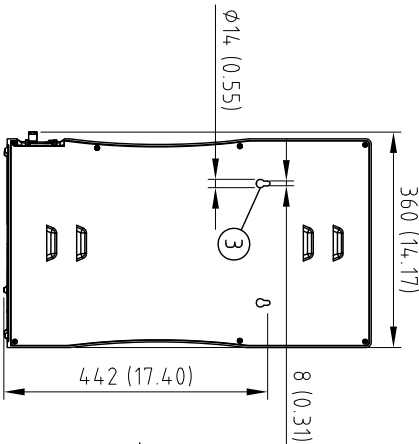
Legend:

- 1 Barnstead GenPure xCAD Plus Water Purification System
- 2 Barnstead xCAD bench mounted remote dispenser
- 3 One dispenser comes standard, can add up to 2 more wall or bench mounted dispensers
- 4 Holes are for optional wall mounting of water system with supplied hardware

Notes:

- 1 Dual dimensions are in metric and inch

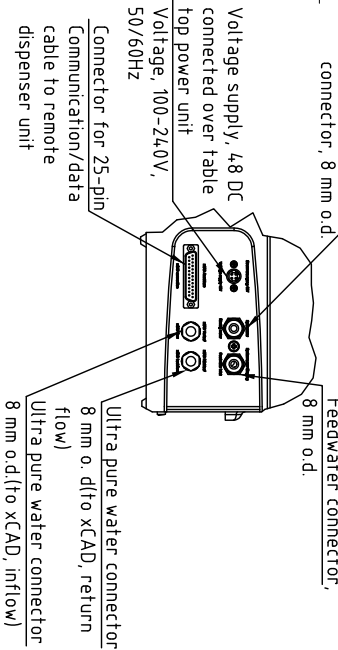
Back view



Legend:

- 1 Connector for 25-pin plug/extension cable (control), only with server
- 2 Ultra pure water connector, 8mm o.d. (to GenPure inflow)
- 3 Ultra pure water connector, 8mm o.d. (to GenPure return flow or to client)
- 4 Connector for optional printer, 9-pin (article no. 09.2207)
- 5 Connector for further xCAD (client), 9-pin
- 6 Ultra pure water connection AØ8mm (to xCAD/Server inlet flow)
- 7 Ultra pure water connection AØ8mm (to GenPure back flow or to Client)
- 8 Connector for further xCAD (Client), 9 pin
- 9 Connector for further xCAD (Server Client), 9 pin

Connection Plate Barnstead GenPure xCAD Plus



ELECTRICAL REQUIREMENTS		100-240 V, 50/60 Hz, 2-1A, up to 5 ft from unit	
WATER CONNECTIONS		3/4" NPT with manual shut off valve recommended	
MIN/MAX INLET PRESSURE		2 - 87 PSI (0.1 - 6 bar)	
RECOMMENDED FEED TEMPERATURE		2 - 40°C	
RECOMMENDED FEED WATER TYPE		Pure water (Type 2 water)	
DRAIN		An atmospheric drain must be available within 5 feet of the final mounting location	
Client / Town:		Project:	
Date		Name	
08.10.2014		Ayadleva	
Checked: 08.10.2014, OPP			

Index	Amendment	Date	Name	<p>Thermo Electron LED GmbH Steinweg 3, D-55672 Niederahn Tel. +49 (0)6 021 96 99-0</p>	Dimension sheet GenPure xCAD with three xCADs	Sheet MB125 Sheets
a	geändert	14.11.2014	MA			