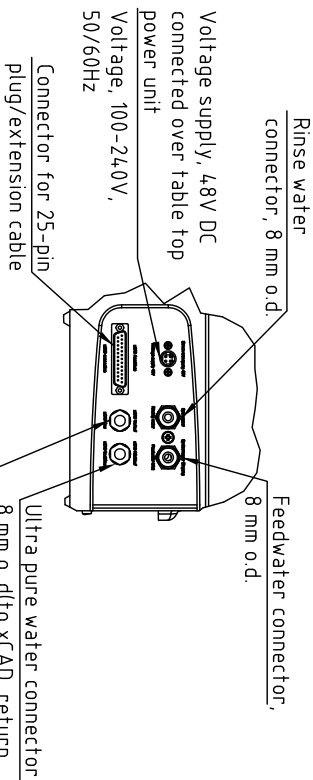


Possible wall cut-outs for cable and hose taken out at the back.

Connection Plate Barnstead GenPure xCAD Plus



Legend:

- 1 Barnstead GenPure xCAD Plus Water Purification System
- 2 Barnstead xCAD wall mounted remote dispenser
- 3 Holes are for optional wall mounting of water system with supplied hardware
- 4 xCAD Remote Dispenser Wall Mounting Bracket

Notes:

- 1 Dual dimensions are in metric and inch

ELECTRICAL REQUIREMENTS		100-240 V, 50/60 Hz, 2-1A, up to 5 ft from unit	
WATER CONNECTIONS		3/4" NPT with manual shut off valve recommended	
MIN/MAX INLET PRESSURE		2 - 87 PSI (0.1 - 6 bar)	
RECOMMENDED FEED TEMPERATURE		2 - 40°C	
RECOMMENDED FEED WATER TYPE		Pure water (Type 2 water)	
DRAIN		An atmospheric drain must be available within 5 feet of the final mounting location	
Client / Town:		Project:	
Date		Name	
Drawn: 08.10.2014, Avadjeva			
Checked: 08.10.2014, OPP			
a		b	
gesindert		gesindert	
14.11.2014, MA		26.11.2014, MA	
Amendment		Name	
Index		Date	
		Thermo Scientific	
		Thermo Electron LED GmbH	
		Stübelweg 3, D-55507 Heideweiler	
		Tel.: +49 (0)6 021 1 06 99-0	
Dimension sheet		Barnstead GenPure xCAD Plus (wall version)	
MB120		Sheet	
		Sheets	