

### 20% EFFICIENCY

SunPower E20 panels are the highest efficiency panels on the market today, providing more power in the same amount of space

### TRANSFORMERLESS INVERTER COMPATIBILITY

Comprehensive inverter compatibility ensures that customers can pair the highest-efficiency panels with the highest-efficiency inverters, maximizing system output

### POSITIVE POWER TOLERANCE

Positive tolerance ensures customers receive the rated power or higher for every panel

### RELIABLE AND ROBUST DESIGN

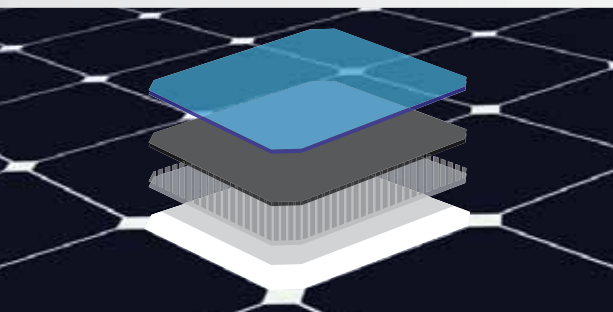
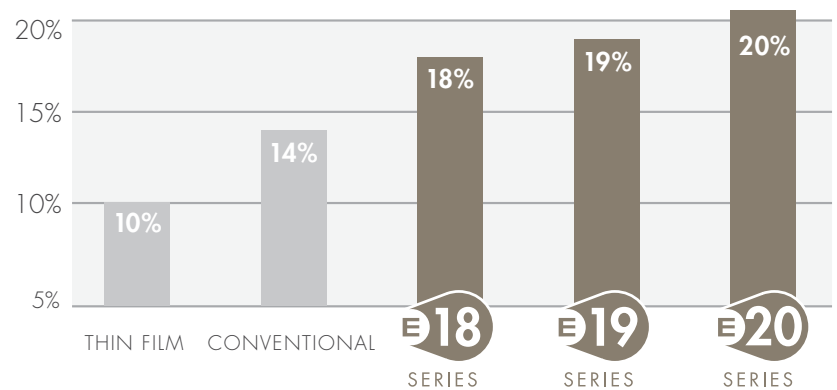
SunPower's unique Maxeon™ cell technology and advanced module design ensure industry-leading reliability



### THE WORLD'S STANDARD FOR SOLAR™

SunPower™ E20 Solar Panels provide today's highest efficiency and performance. Powered by SunPower Maxeon™ cell technology, the E20 series provides panel conversion efficiencies of up to 20.4%. The E20's low voltage temperature coefficient, anti-reflective glass and exceptional low-light performance attributes provide outstanding energy delivery per peak power watt.

### SUNPOWER'S HIGH EFFICIENCY ADVANTAGE



### MAXEON™ CELL TECHNOLOGY

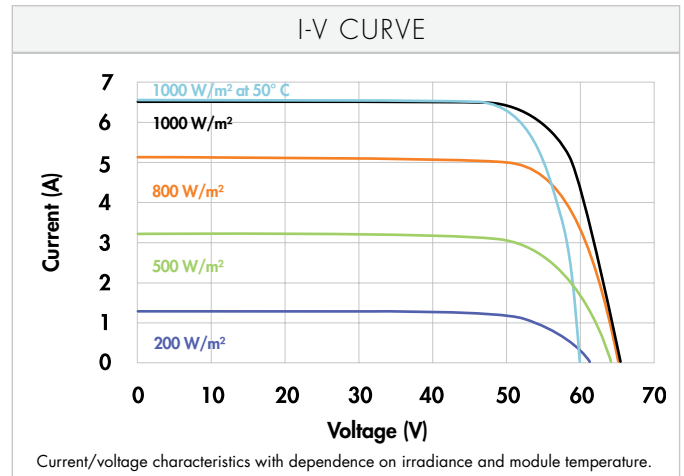
Patented all-back-contact solar cell, providing the industry's highest efficiency and reliability.



## MODELS: SPR-333NE-WHT-D, SPR-327NE-WHT-D

ELECTRICAL DATA			
Measured at Standard Test Conditions (STC): Irradiance 1000W/m <sup>2</sup> , AM 1.5, and cell temperature 25° C			
Nominal Power (+5/-0%)	P <sub>nom</sub>	333 W	327 W
Cell Efficiency	η	22.8%	22.5%
Panel Efficiency	η	20.4%	20.1 %
Rated Voltage	V <sub>mpp</sub>	54.7 V	54.7 V
Rated Current	I <sub>mpp</sub>	6.09 A	5.98 A
Open-Circuit Voltage	V <sub>oc</sub>	65.3 V	64.9 V
Short-Circuit Voltage	I <sub>sc</sub>	6.46 A	6.46 A
Maximum System Voltage	IEC	1000 V	1000 V
Temperature Coefficients	Power (P)	- 0.38%/K	
	Voltage (V <sub>oc</sub> )	- 176.6mV/K	
	Current (I <sub>sc</sub> )	3.5mA /K	
NOCT	45° C +/- 2° C		
Series Fuse Rating	20 A		
Limiting Reverse Current (3 strings)	I <sub>r</sub>	16.2 A	
Grounding	Positive grounding not required		

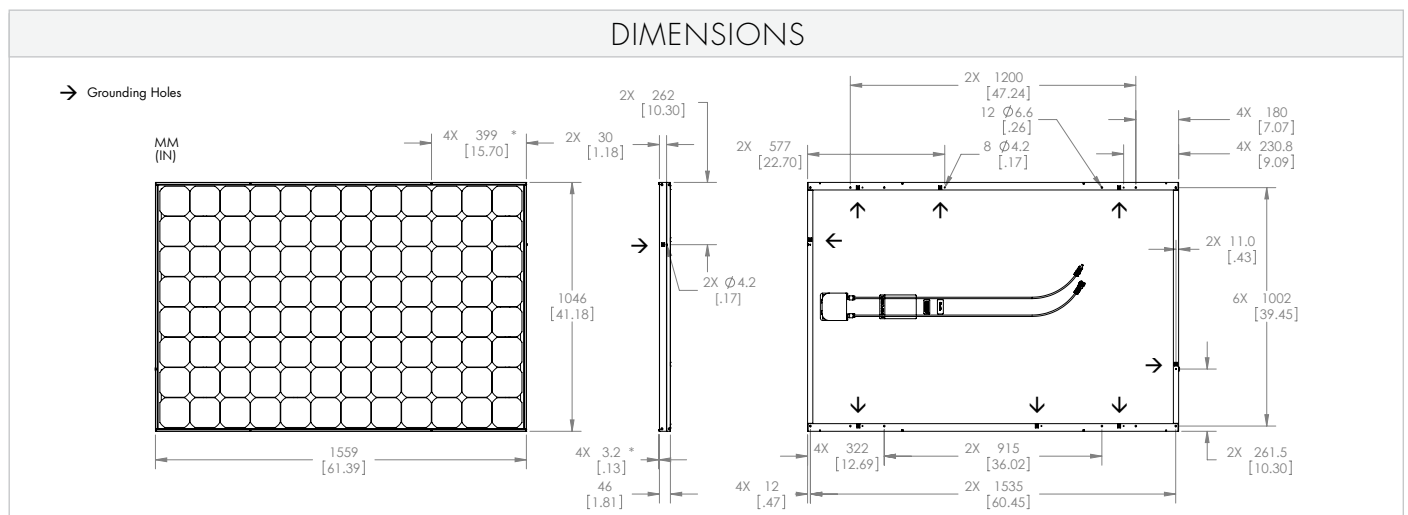
ELECTRICAL DATA			
Measured at Nominal Operating Cell Temperature (NOCT): Irradiance 800W/m <sup>2</sup> , 20° C, wind 1 m/s			
Nominal Power	P <sub>nom</sub>	247 W	243 W
Rated Voltage	V <sub>mpp</sub>	50.4 V	50.4 V
Rated Current	I <sub>mpp</sub>	4.91 A	4.82 A
Open-Circuit Voltage	V <sub>oc</sub>	61.2 V	60.8 V
Short-Circuit Voltage	I <sub>sc</sub>	5.22 A	5.22 A



TESTED OPERATING CONDITIONS	
Temperature	- 40° C to +85° C
Max load	550 kg/m <sup>2</sup> (5400 Pa), front (e.g. snow) w/specified mounting configurations 245 kg/m <sup>2</sup> (2400 Pa) front and back (e.g. wind)
Impact Resistance	Hail: 25 mm at 23 m/s

WARRANTIES AND CERTIFICATIONS	
Warranties	25-year limited power warranty 10-year limited product warranty
Certifications	IEC 61215 Ed. 2, IEC 61730 (SCII)

MECHANICAL DATA			
Cells	96 SunPower Maxeon™ cells		
Front Glass	High-transmission tempered glass with anti-reflective (AR) coating		
Junction Box	IP-65 rated with 3 bypass diodes 32 x 155 x 128 mm		
Output Cables	1000 mm cables / Multi-Contact (MC4) connectors		
Frame	Anodised aluminium alloy type 6063 (black)		
Weight	18.6 kg		



Please read safety and installation instructions before using this product, visit [sunpowercorp.com](http://sunpowercorp.com) for more details.