



Lawson Healthcare Webinar World Series

October 27, 2009 – November 10, 2009

Healthcare Webinar World Series: www.lawson.com/hcwebinars

▶ **Tuesday, October 27**

The Basics of GS1 Data Standards in Healthcare – 11 am CST

▶ **Thursday, October 29**

Golden Opportunity: Lawson and GS1 Data Standards – 12 pm CST

▶ **Monday, November 2**

High Five for New Improved 9.0.1 Apps – 10 am CST

▶ **Tuesday, November 3**

On Point with a Smart Supply Solution – 10 am CST

Baylor Health Care System: Countdown to Mobile Supply Chain Success – 1 pm CST

▶ **Wednesday, November 4**

Inner Peace with Managed Services – 1 pm CST

▶ **Thursday, November 5**

Thomas Jefferson University Hospital: Feeling the Love with Lawson Workforce Management – 10 am CST

Penn State Hershey Medical Center: Streamlined and Stronger – 1 pm CST

▶ **Friday, November 6**

Accelerate the time to results with Lawson Learning Accelerator – 10 am CST

▶ **Tuesday, November 10**

Step Up to Lawson System Foundation 9.0.1 – 10 am CST

Optimize Your Workforce with Lawson Talent Management – 1 pm CST

**Lawson Process Flow Integrator
and
Penn State Hershey Medical Center
Streamlining IT Tasks**



PENNSTATE



Milton S. Hershey Medical Center
College of Medicine

Tech Details

- Environment 9.0.0 ESP 7
- Applications 9.0.0 MSP 4
- Lawson Process Flow Integrator
- Lawson Design Studio
- Lawson Business Intelligence
9.0.1.10



PENNSTATE



Milton S. Hershey Medical Center
College of Medicine

Beyond Process Flow Professional

- Business Component Integrator (BCI)
- Process Flow Integrator



PENNSTATE



Milton S. Hershey Medical Center
College of Medicine

Business Component Integrator

- File Client
- FourGL Client
- Scan File Client
- Custom Connectors



PENNSTATE



Milton S. Hershey Medical Center
College of Medicine

Process Flow Integrator

- File Access
- Data Iterator
- SQL Query
- SQL Update



PENNSTATE



Milton S. Hershey Medical Center
College of Medicine

Process Flow Integrator

- Resource Update
- System Command
- Work Object
- Web Service



PENNSTATE



Milton S. Hershey Medical Center
College of Medicine

Process Flow Integrator

- Front Office
- TX Adapter
- Lawson Adapter
- MQS
- Return
- XML
- Custom Activity



PENNSTATE



Milton S. Hershey Medical Center
College of Medicine

- Naming Standard
 - SCXXXTE.xml
 - SC = System Code
 - XXX = Sequence Number
 - T = Transaction Type
 - E = Execution Type
- Integrator Nodes



IT Task Flows – ScanFileClient

- Monitors Directory On Server
- Initiates Flow
- Passes File Name

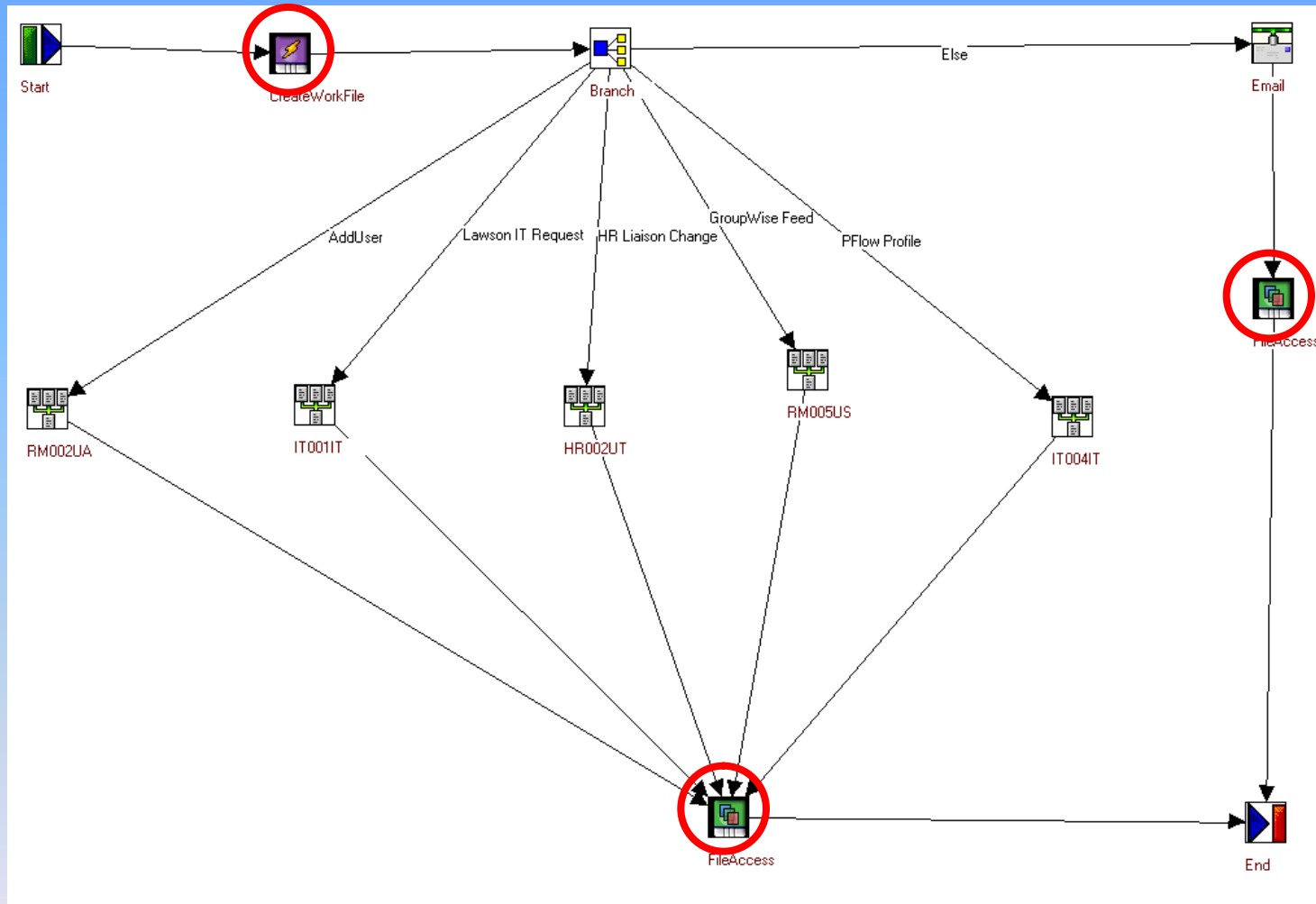


PENNSTATE



Milton S. Hershey Medical Center
College of Medicine

IT Task Flows – ScanFileClient Branch



PENNSTATE



Milton S. Hershey Medical Center
College of Medicine

IT Task Flows – Report Publish Request

Crystal Report Publish Request

Enter your Epass and the report ID from the LBI Test environment that you would like to have published in production. Please copy the .rpt file into

```
\\Hersheymed.net\files\InfoTech\Lawson Information\LBI\Publish Me - PROD
```

Request Information	
Epass	jstoltzfus3
LBI Test Report ID	203
<input checked="" type="radio"/> Republish Existing Report	<input type="radio"/> New Report
<input type="button" value="Submit"/>	



PENNSTATE



Milton S. Hershey Medical Center
College of Medicine

IT Task Flows – Report Publish Request

Crystal Report Publish Request

TEST Report ID: 203

File Information			
Epass	jstoltzfus3	Republish	
.RPT File Name	My Org - Cost Center - Last Period with Summary		
My Org - Cost Center - Last Period with Summary			
Dashboard	Content Module	Link	
Output Options			
Default Output	rpt		
Options	<input checked="" type="checkbox"/> Crystal	<input checked="" type="checkbox"/> Word	<input checked="" type="checkbox"/> Excel Data
	<input checked="" type="checkbox"/> Adobe PDF	<input checked="" type="checkbox"/> Excel	<input checked="" type="checkbox"/> CSV
Attributes			
Functional Area	FN		
Run Type	Scheduled		
RULES_STRUCTURE	19		
Users / Permissions			
Users	Default Permissions		
sys_lbfn	EXPORT		
jtearpock	VIEW		
LBI Admins	VIEWLATESTINSTANCE		
ESS	PRINTREPORT		
User	Override Permission		

PENNSTATE



Milton S. Hershey Medical Center
College of Medicine

IT Task Flows – Report Publish Request

Schedule						
Scheduled Time	02 : 10	Frequency	Days In A Week			
<input type="checkbox"/> Sunday	<input type="checkbox"/> Monday	<input type="checkbox"/> Tuesday	<input type="checkbox"/> Wednesday	<input type="checkbox"/> Thursday	<input type="checkbox"/> Friday	<input checked="" type="checkbox"/> Saturday
<input type="checkbox"/> First Day of Month	<input type="checkbox"/> Last Day of Month	Specific Day of Month				

Distribution		
Format		
<input type="checkbox"/> Burst	Data Structure	COMPANY - Command.COMPANY LEVEL ADDRESS - @Burst
<input type="checkbox"/> Email	Format	
	To	
	Subject	
	Message	

Additional Instructions

By clicking the Submit button below, you confirm that the settings for this report are correct and the report is ready to move into production. **This is your user sign-off.**

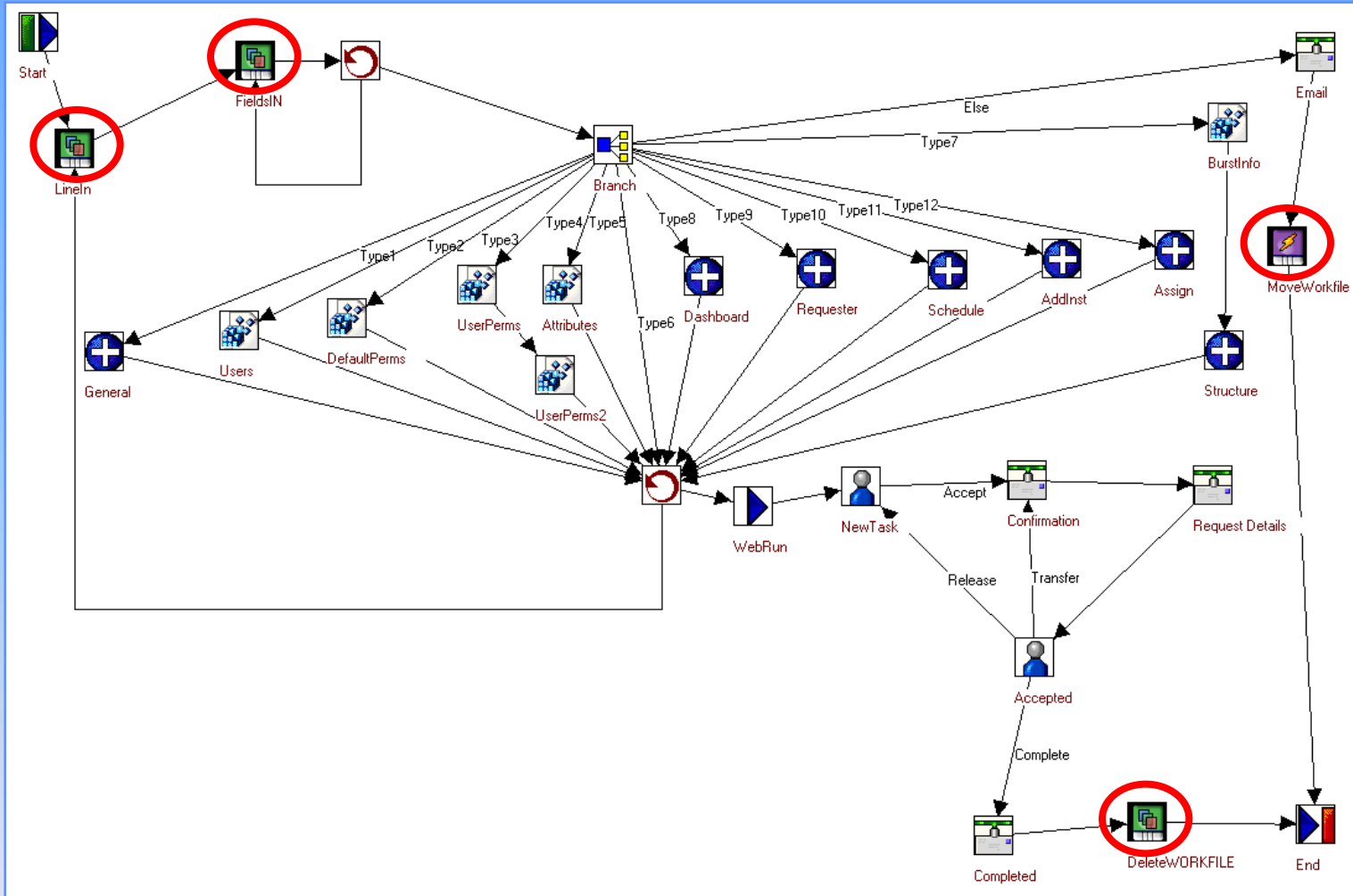


PENNSTATE



Milton S. Hershey Medical Center
College of Medicine

IT Task Flows – Report Publish Request

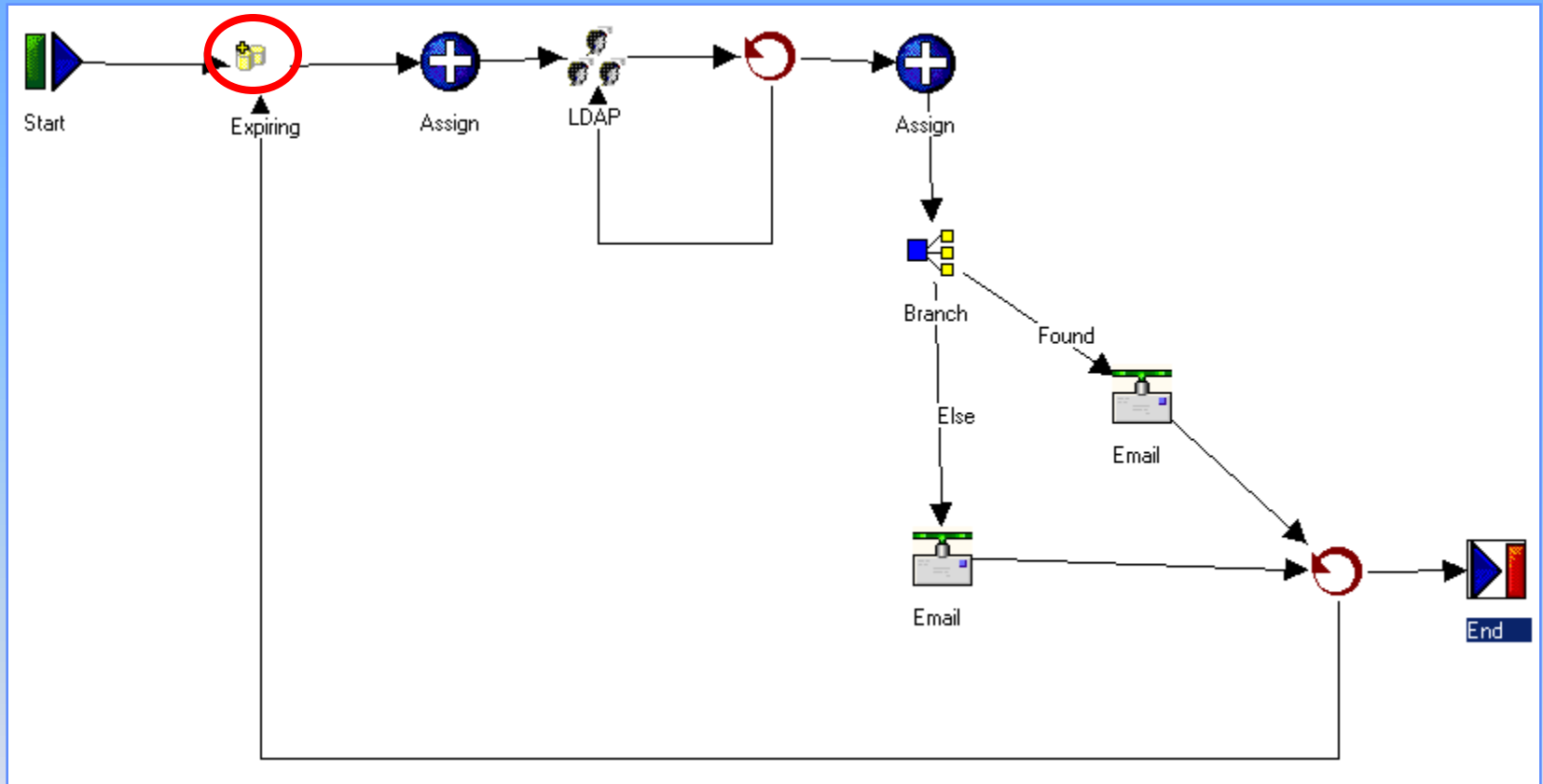


PENNSTATE



Milton S. Hershey Medical Center
College of Medicine

IT Task Flows – Expiring Oracle Passwords

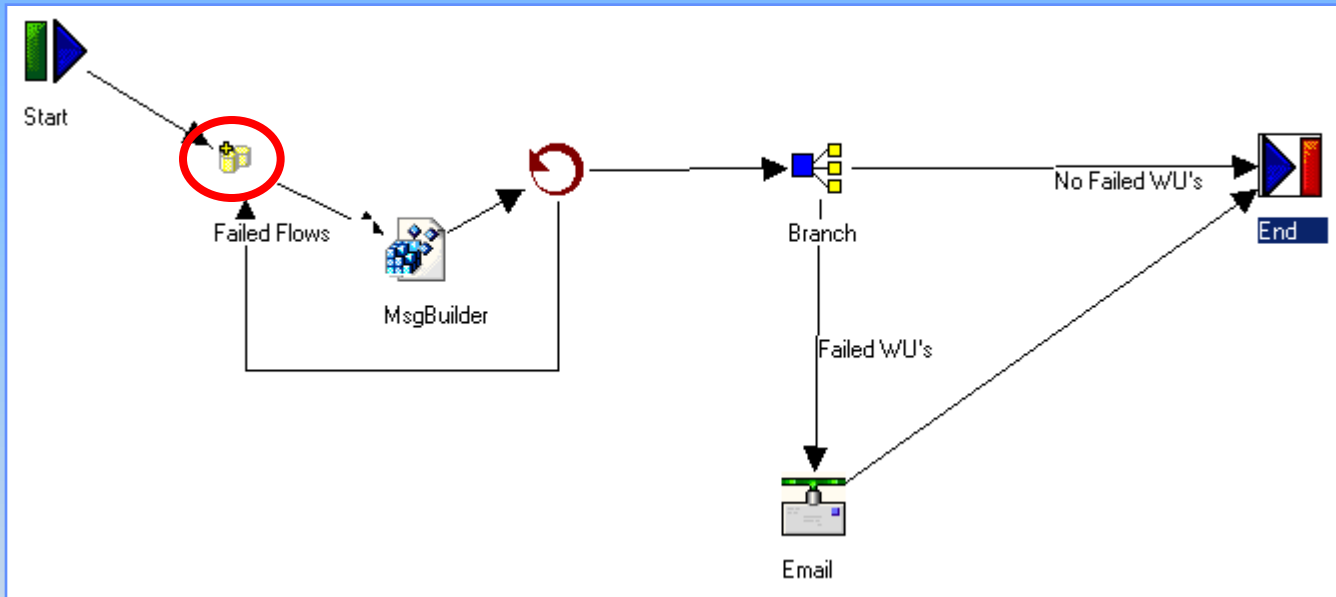


PENNSTATE



Milton S. Hershey Medical Center
College of Medicine

IT Task Flows – Monitor Failed Flows

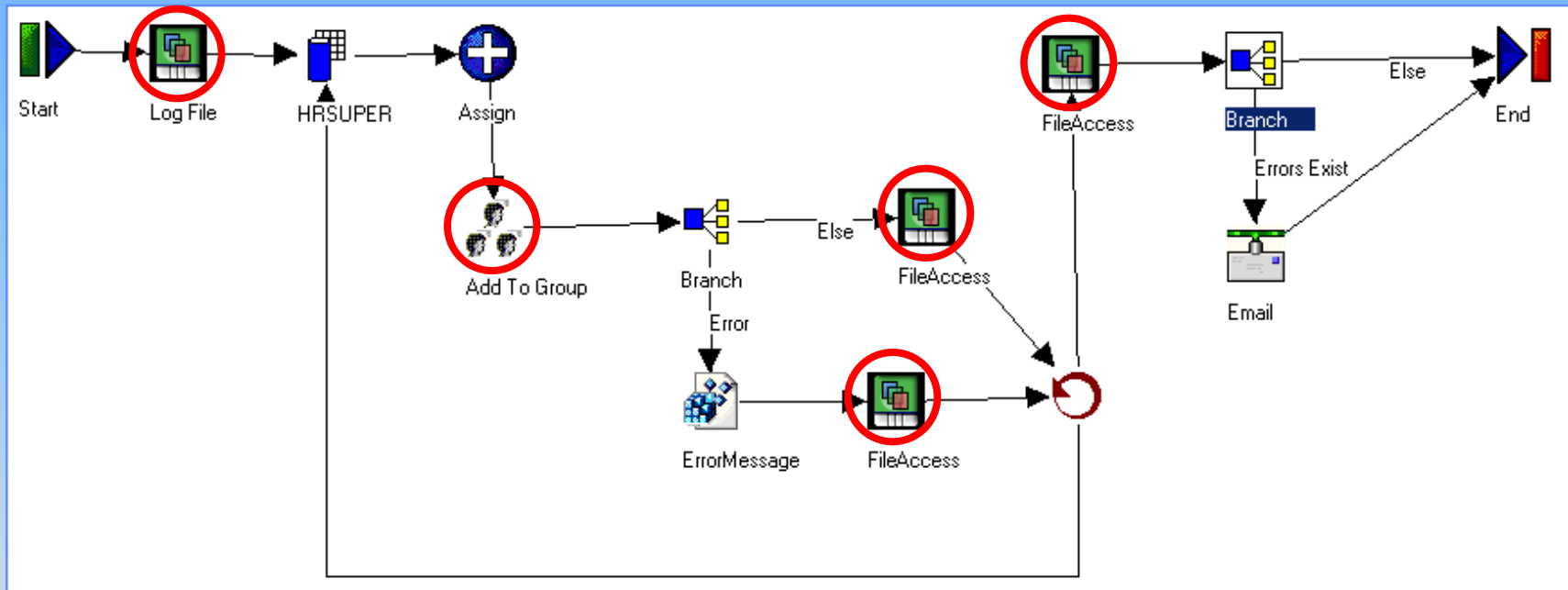


PENNSTATE

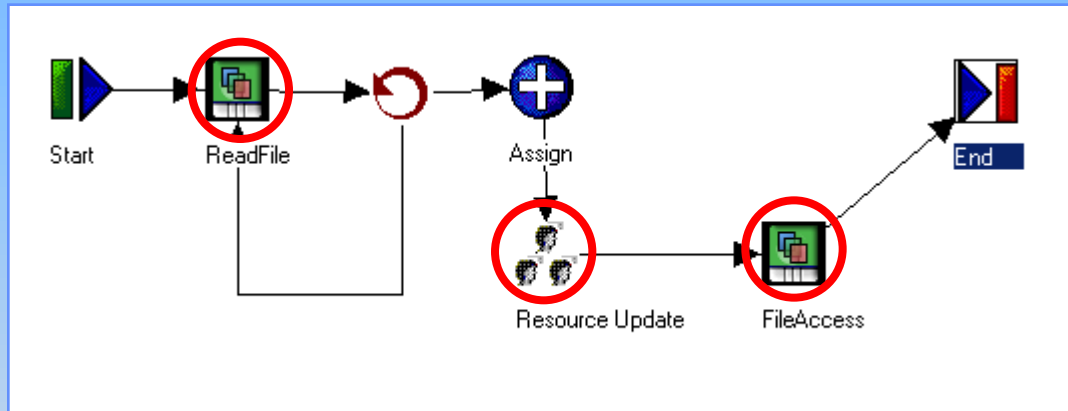


Milton S. Hershey Medical Center
College of Medicine

IT Task Flows – Load Web Group



IT Task Flows – Create Resource Account

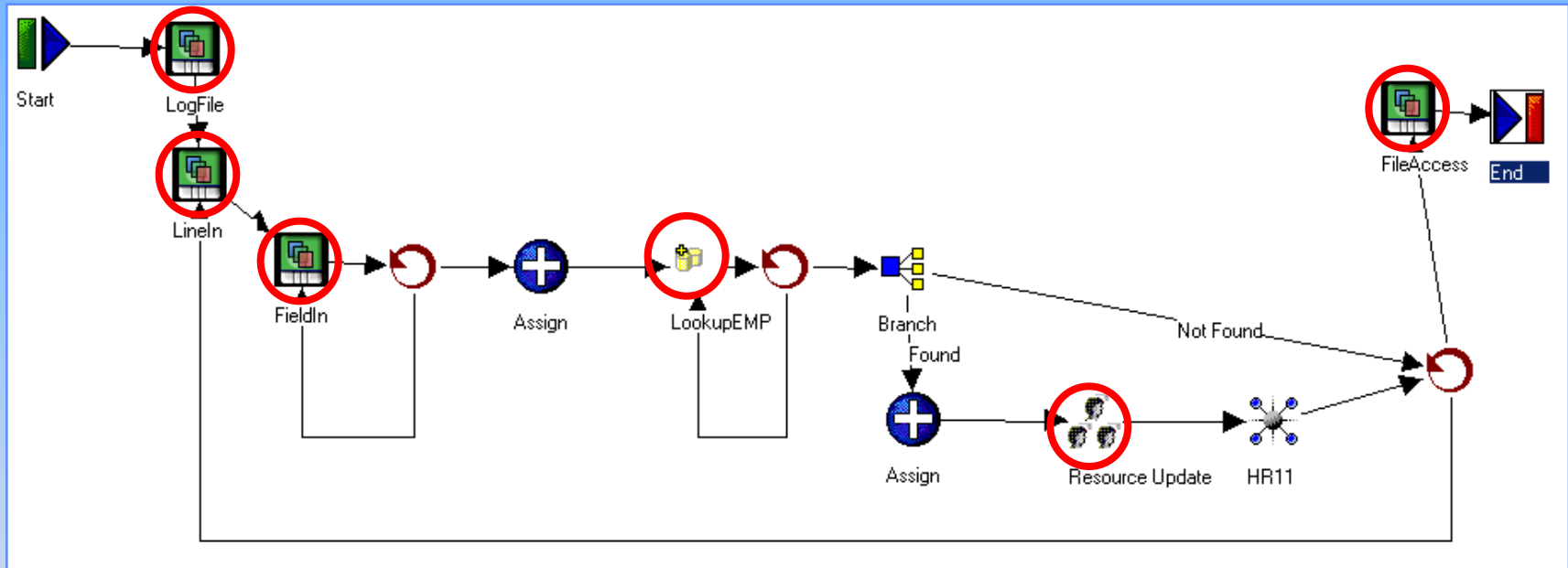


PENNSTATE



Milton S. Hershey Medical Center
College of Medicine

IT Task Flows – Update Resource Attribute

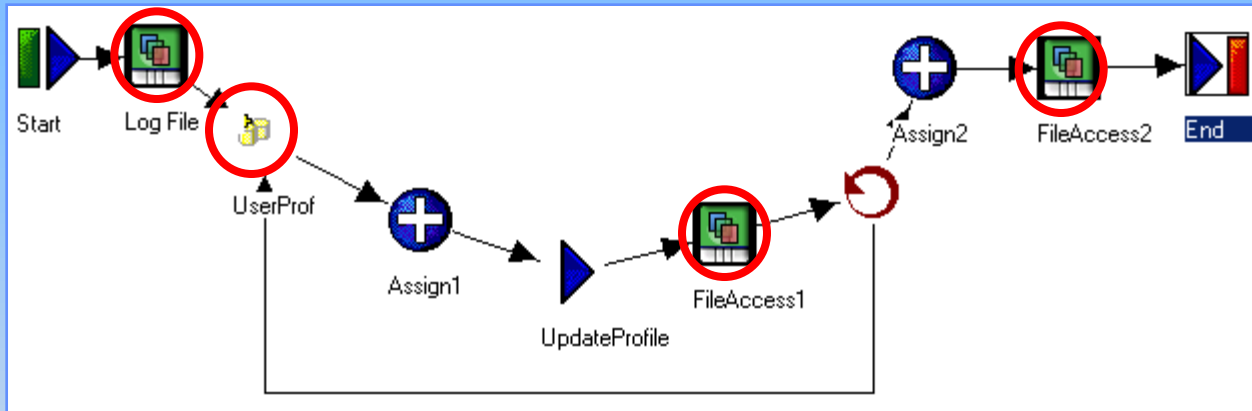


PENNSTATE



Milton S. Hershey Medical Center
College of Medicine

IT Task Flows – Update Process Flow Users



PENNSTATE



Milton S. Hershey Medical Center
College of Medicine

IT Task Flows – Move WU Data to History



PENNSTATE



Milton S. Hershey Medical Center
College of Medicine

Reports – Task Categories

User Task Category Definition

Previous Inquire Next Refresh Reset

Id: reicholtz >

Task: HR Liaison >

Work Category	Work Category Value
Department >	00101725
Department >	00101974
Department >	00102050
Department >	00102055
Department >	00102056
Department >	00102057
Department >	00102060
Department >	00102065
Department >	00102070

Process Page Up Page Down New Page

Status Message: (2006): Inquire complete.



PENNSTATE



Milton S. Hershey Medical Center
College of Medicine

Reports – Task Categories

PENNSTATE HERSHEY



1/13/2009

Department Liaisons by Administrator

ABENDROTH

23 - IRT - Hosp

<u>Cost Center</u>	<u>Description</u>	<u>Department</u>	<u>Liaison</u>	
170150020	Telephone Admin	00101725	reicholtz	Robert Eicholtz
170290040	Medical Image Management	00102050	reicholtz	Robert Eicholtz
170290015	IRT Research Computing	00102055	reicholtz	Robert Eicholtz
170290020	Technical Services Delivery	00102056	reicholtz	Robert Eicholtz
170290080	Strategic Planning	00102057	reicholtz	Robert Eicholtz
170290050	Interfaces and Specialty Apps	00102060	reicholtz	Robert Eicholtz
170290070	Connected (CIS)	00102065	reicholtz	Robert Eicholtz
170290060	Technical Services Engineering	00102070	reicholtz	Robert Eicholtz
170290035	Fiscal Systems	00102075	tharris2	Tamara Harris
170290090	IT Administration	00102080	reicholtz	Robert Eicholtz
170290075	PSCI Systems/Application Devl	00102085	reicholtz	Robert Eicholtz
170270017	Data Warehouse/Decision Supprt	00106165	reicholtz	Robert Eicholtz

76 - HIS - Hosp

<u>Cost Center</u>	<u>Description</u>	<u>Department</u>	<u>Liaison</u>	
170190010	Medical Records General	00104020	lbitler	Lee Bitler
170210030	Medical Transcription	00104030	lbitler	Lee Bitler
170460020	Coding and Abstracting	00104090	lbitler	Lee Bitler

ACHEY

19 - Facilities - Hosp

<u>Cost Center</u>	<u>Description</u>	<u>Department</u>	<u>Liaison</u>	
170170110	Facilities Maintenance	00105430	mshearer1	Mariann Shearer
170170120	Facilities Buildings & Grounds	00105435	mshearer1	Mariann Shearer
170170118	Facilities Planning & Constr	00105445	mshearer1	Mariann Shearer
170170200	Safety	00105480	mshearer1	Mariann Shearer
170170310	Facilities Central Plant	00105500	mshearer1	Mariann Shearer
170650020	Facilities Waste Processing	00105540	mshearer1	Mariann Shearer



PENNSTATE



Milton S. Hershey Medical Center
College of Medicine

Reports – Audit Log

PENNSTATE HERSHEY



Process Flow Action Audit Log
Service: PR12.1_C

1/13/2009

<u>Work Unit</u>	<u>Date</u>	<u>Time</u>	<u>Task</u>	<u>User</u>	<u>Action Performed</u>
1740	25-Nov-2008	15:45:57	Employee	jstoltzfus3	DoNotAuthorize
1747	1-Dec-2008	14:10:25	Employee	jstoltzfus3	DoNotAuthorize
1844	1-Dec-2008	10:34:31	Employee	cle1	TimeOut
	1-Dec-2008	10:36:32	AP Clerk	cle1	Resend
	1-Dec-2008	10:37:20	Employee	cle1	TimeOut
	1-Dec-2008	10:37:53	AP Clerk	cle1	Cancel
1847	1-Dec-2008	10:47:10	Employee	cle1	DoNotAuthorize
1849	1-Dec-2008	10:55:13	Employee	cle1	Authorize
1850	1-Dec-2008	11:01:20	AP Clerk	cle1	Inactivate
1855	1-Dec-2008	14:19:03	Employee	jstoltzfus3	TimeOut
	1-Dec-2008	14:19:11	AP Clerk	jstoltzfus3	Resend
	1-Dec-2008	14:21:49	Employee	jstoltzfus3	TimeOut
	1-Dec-2008	14:22:01	AP Clerk	jstoltzfus3	Resend
	1-Dec-2008	14:22:10	Employee	jstoltzfus3	DoNotAuthorize
1856	1-Dec-2008	14:30:31	Employee	cle1	TimeOut
	1-Dec-2008	14:30:47	AP Clerk	cle1	Resend
	1-Dec-2008	14:34:04	Employee	cle1	Authorize
1989	8-Dec-2008	11:16:35	PR Staff	jkincaid	Complete
	8-Dec-2008	15:07:22	Employee	jkincaid	Authorize
2312	24-Dec-2008	10:20:30	Employee	cle1	TimeOut
	24-Dec-2008	10:21:14	AP Clerk	cle1	Resend
	24-Dec-2008	10:22:30	Employee	cle1	Authorize
2427	31-Dec-2008	08:57:54	Employee	jstoltzfus3	DoNotAuthorize




PENNSTATE



Milton S. Hershey Medical Center
College of Medicine

Reports – Active Work Unit Status



Administration Tools

Active Workunits

10/23/20
10/22/2009 07:44:20

Workunit: 15751

Process	HR005UT_V58		XA90.1_A-0010-000013249-jdunn		
Task	PF Admin HR				
Service	XA90.1_A				
Triggered By	lmeachum				
Status	Processing In Progress				
Waiting Task					
Variables	COMPANY		0010		
	EMPLOYEE		000013249		
	EMP_FORWARD		jdunn		
	ENTRY_POINT		EMP		
	ESTABLISHMENT				
	MGR_FORWARD		rkreider		
	New_Supervisor		000014259		
	SEQ_NBR		8098		
Metrics					
	jdunn	Action Taken	Submit	NOT_PART_OF_TASK	UA11 10/22/2009 08:14:20
	rkreider	Action Awaiting	Abandoned	NOT_PART_OF_TASK	UA20 Abandoned
	bpmsystem	Action Taken	Timeout	NOT_PART_OF_TASK	UA20 10/23/2009 08:19:53
	jdunn	Action Awaiting	WAITING	NOT_PART_OF_TASK	UA28



Waiting Tasks



Waiting Process Flow Tasks

10/23/2009

Task	Description	Action List	Work Category / Value	Entry Date
------	-------------	-------------	-----------------------	------------

Task Level Work

HR Liaison All

Workunit: 15276	jsoltzfus3 - TERM PEND Action Pending - NO TERM LETTER	ApproveTerm,CancelTerm	Department - 00102075	10/01/2009 10:27:45AM
Users Responsible:	cgtruh2 kpetley jmarion			

Task Level Work - Category Filtered

HR Liaison

Workunit: 15276	jsoltzfus3 - TERM PEND Action Pending - NO TERM LETTER	ApproveTerm,CancelTerm	Department - 00102075	10/01/2009 10:27:45AM
Users Responsible:	jsoltzfus3			
Workunit: 15284	kcarpenter1 - TERM PEND Action Pending - NO TERM LETTE	ApproveTerm,CancelTerm	Department - 00104050	10/02/2009 10:08:01AM
Users Responsible:	kcarpenter1			
Workunit: 15454	jsoltzfus3 - TERM PEND Action Pending	ApproveTerm,CancelTerm	Department - 00102075	10/09/2009 10:49:52AM
Users Responsible:	jsoltzfus3			

User Level Work

CWILSON1

Workunit: 14953	8018 - Workers Comp Claim: McCombs, Rebecca S.	Submit		09/17/2009 06:32:15PM
Workunit: 14968	8020 - Workers Comp Claim: Short, Emily M.	Submit		09/17/2009 11:32:11AM



PENNSTATE



Milton S. Hershey Medical Center
College of Medicine

Others

- RM Attribute Updates
- Employee Data Updates
- User ID Maintenance
- Employee Job Changes



PENNSTATE



Milton S. Hershey Medical Center
College of Medicine

Someday...

- CTP Request Sign-off
- Data Copy Request
- Web Requester Approval/Setup
- Web Group Membership Approval
- Please...
 - FTP Node (Enhancement Request #14442)



PENNSTATE



Milton S. Hershey Medical Center
College of Medicine

Questions?

For more information go to
www.lawson.com/healthcare
or call 1-800-477-1357.

Visit us at www.lawson.com/hcwebinars for more
information on our Healthcare Webinar World Series.